

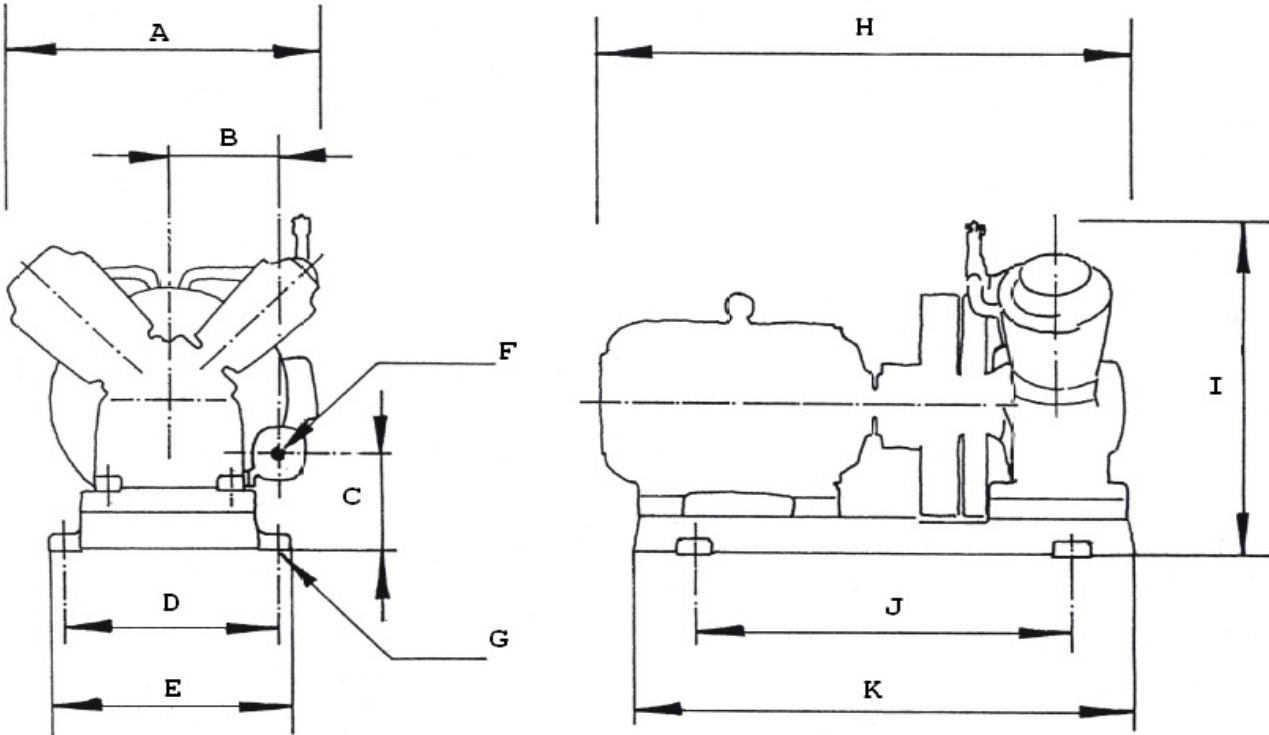
# TWO STAGE AIR COOLED COMPRESSOR

## TYPE **DBD** 8.3,5/5N

### DATASHEET



#### 1. Dimensions:



A: 470 mm	D: 220 mm	G: 1/2" G	J: 760 mm
B: 160 mm	E: 260 mm	H: 830 mm	K: 820 mm
C: 210 mm	F: 1/2" G	I: 510 mm	

#### 2. Characteristics and taken power @ 1450 rpm

Number of cylinders :	2			
Bore :	80/35	mm		
Stroke :	50	mm		
Suction connection :	22	mm		
delivery connection :	1/2"	inch		
Max. speed :	1450	rpm		
Displacement :	22	m <sup>3</sup> /h		
Number of stages :	2			
Pressure :	16	bar	Q	N
	20	bar	13,2	2,6
	25	bar	12,9	2,6
	30	bar	12,5	2,8
			12,3	2,9
Weight :	57	kg		

Q is effective calculated in suction conditions (free air) (+/- 5%)