

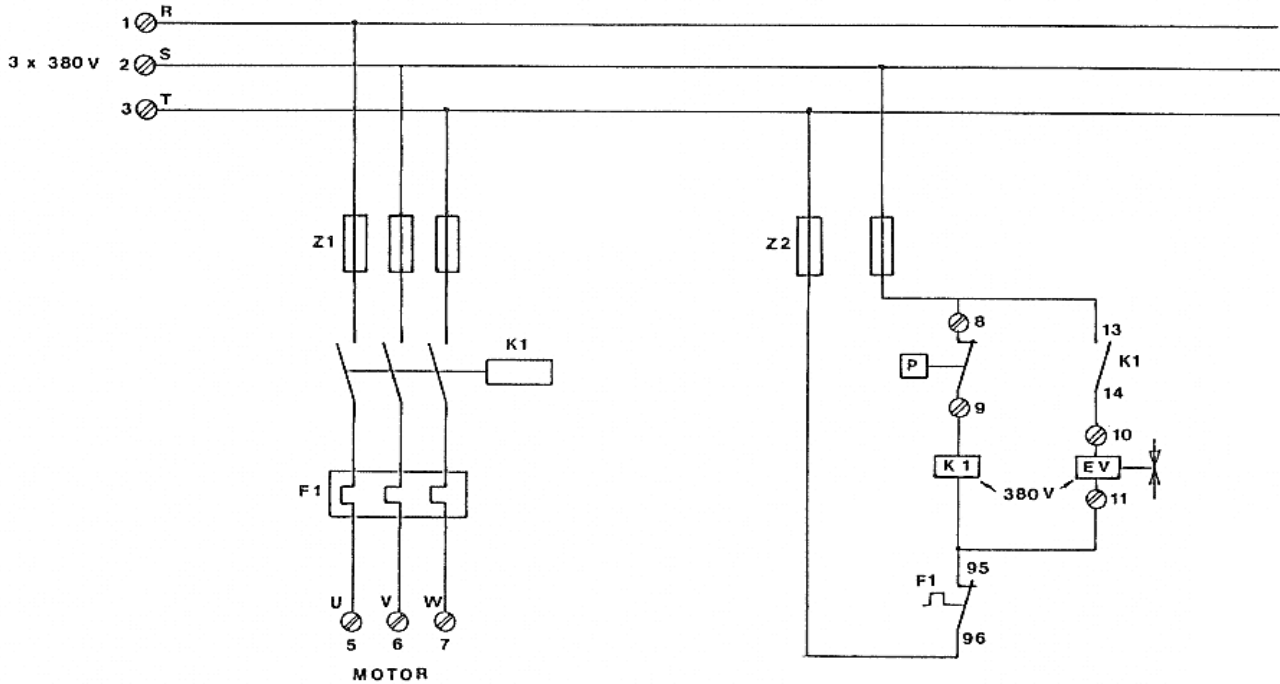
TWO STAGE AIR COOLED COMPRESSOR

TYPE DBD



ELECTRICAL & PNEUMATICAL DIAGRAM

1. Electrical diagram



R, S, T, N

1, 2, 3, 4 : power connection
Z1 : fuses

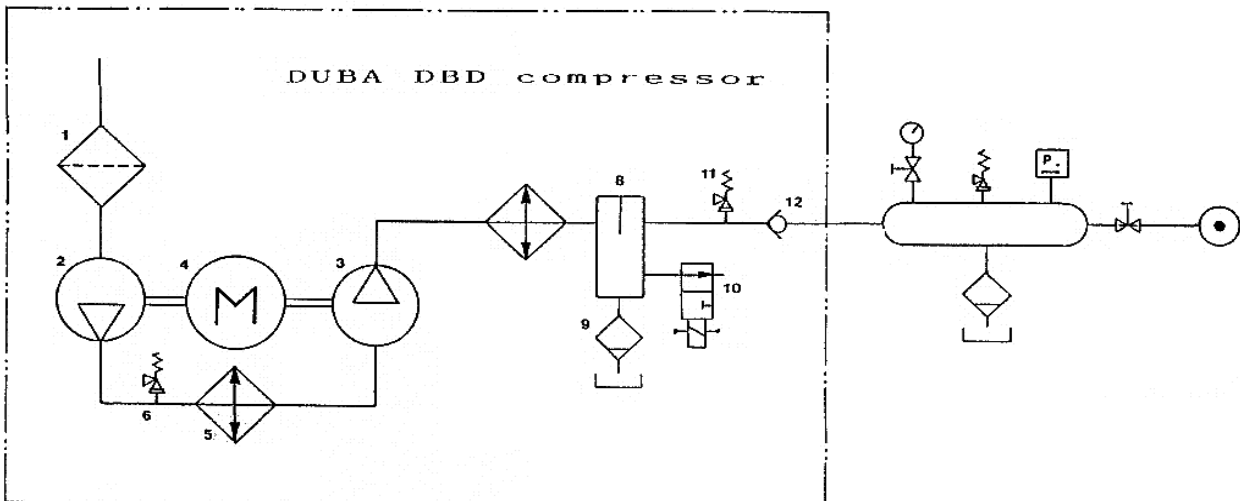
Z2 : fuses control

K1 : magnetic contactor
F1 : overload relay

P 8,9 : con. pressure switch

EV 10,11 : magnetic unloading
U,V,W : motor connection
5,6,7

2. Pneumatal diagram



1 : suction filter

2 : compr. first stage

3 : compr. second stage

4 : electric motor

5 : intercooler

6 : safety valve first stage

7 : aftercooler

8 : water and oil separator

9 : drain valve

10 : unloading valve / el. magnetic

11 : safety valve second stage

12 : non return valve